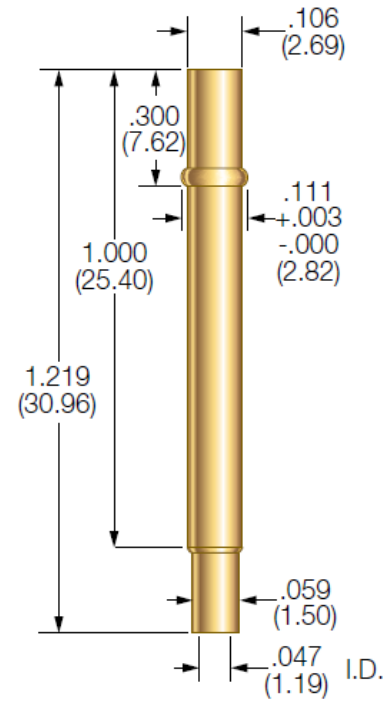
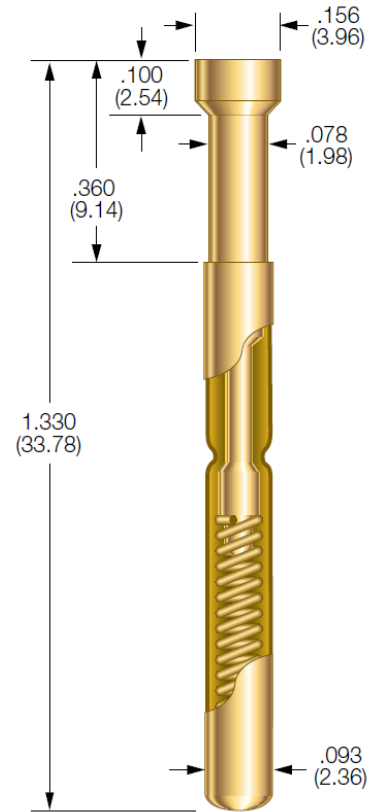


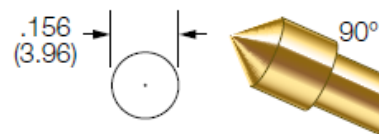
R4 Receptacle



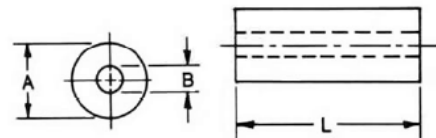
S4 Probe



S4 Probe Type E Tip



Collar



Material Delrin
 Outside Dia. A 1/4
 Inside Dia. B 0.106
 Length L 1/8

Collar Fitted to Receptacle



Supplied as Pack



Iss.	Date	Change No. (Desc.)	App'd
01	Feb16	Original	MDK

	Scale Not To Scale			
Units inch	Dimensions in square brackets [] are in mm. Unless otherwise specified, all dimensions apply after finish.			
Tolerances				
.x	.xx	.xxx	Angles	Hole Dia.
±0.1	±0.05		±1 deg	+0.05 -0.00
Material				
Finish Clean and Burr Free				

Designed Nick Massey	Date May 2012
Drawn Matthew Kendall	Date Feb 2016
Checked	Date
Released	Date

Merifix Electronics
North Vancouver BC Canada

This drawing is issued by Merifix Electronics in confidence and is not to be reproduced or released, in whole or in part, without the prior written permission of Merifix. The information contained herein is the property of Merifix and is to be used only for the purpose for which it is submitted.

Title Locating Probe S4 Customer Drawing
Part Number(s) 15025/XX
Drawing Number 16252-01
Sheet 1 of 1