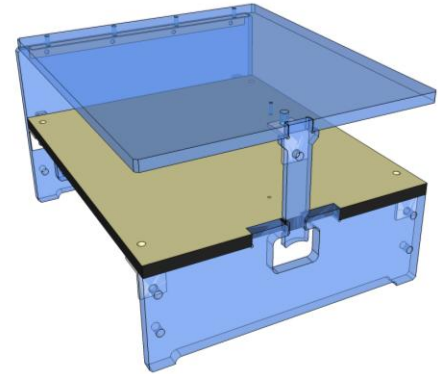




## Merifix MF300 Test Fixture

- Electronic Test Fixture Kit
- Very low-cost kit facilitates use in situations where traditional fixtures are too expensive:
  - Research & Development
  - Engineering
  - Low-volume Production
- Uses include:
  - Debugging
  - Programming
  - Verification and Test



### Low-cost Fixture

Due to careful selection of materials, use of modern manufacturing techniques, and supplying the kit "flat packed" for end-user assembly, Merifix fixtures kits are inexpensive enough to be used in low-volume production and in engineering labs for programming and debug tasks, where traditional fixtures would be too expensive.

Fixture kits are designed for end-user assembly with no special tools or experience. It is possible to put together an accurate, functional fixture using only a drill press, hand tools and some care; precision CNC machines are not needed.

### Kit Contents

Fixture kits include all the mechanical components of the fixture itself, mounting hardware, a set of hold-down posts and a printed Quick Start Guide. A full length Assembly Guide is downloadable.

Kits do not include test probes since the type and quantity required will vary by application.

### Features

Suitable for probing boards 1/32" (0.8mm) to 1/16" (1.6mm) thick using specified probes and supplied hold-down posts without adjustment.

Designed for easy assembly. Engraved grids and alignment features on pressure plate, probe plate and rear panel aid customisation.

Spring clip action holds fixture securely closed.

### Specifications

#### Dimensions

Probe plate size	6" x 7" (152 x 178mm)
Max probing area	5" x 3½" (125 x 90mm)

#### Materials

Pressure plate	0.220" (5.6mm) Acrylic
Probe plate	0.250" (6.3mm) MDF
Front and rear panels	0.220" (5.6mm) Acrylic
Hinge	Brass plate
Hardware	Stainless steel
Hold-down posts	Nylon

#### Compatible Probes

S-075 probe and R-075 receptacle  
S-100 probe and R-100 receptacle  
S-3 probe and R-3 receptacle  
S-4 probe and R-4 receptacle

### Accessories

The rear panel incorporates a separate insert for connectors. Pre-cut inserts are available with holes for many common types including D-sub and rectangular connectors.

#### Ordering

Fixture Kit, 6x7                      MF300

For available accessories, see online store.