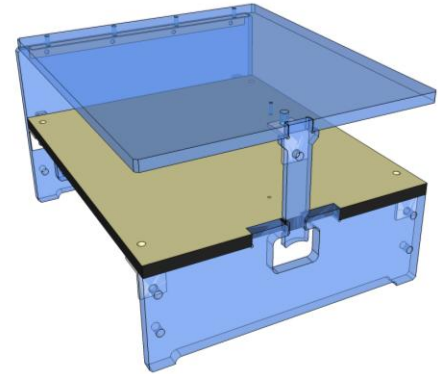




Merifix MF500 Test Fixture

- Electronic Test Fixture Kit
- Very low-cost kit facilitates use in situations where traditional fixtures are too expensive:
 - Research & Development
 - Engineering
 - Low-volume Production
- Uses include:
 - Debugging
 - Programming
 - Verification and Test



Low-cost Fixture

Due to careful selection of materials, use of modern manufacturing techniques, and supplying the kit "flat packed" for end-user assembly, Merifix fixtures kits are inexpensive enough to be used in low-volume production and in engineering labs for programming and debug tasks, where traditional fixtures would be too expensive.

Fixture kits are designed for end-user assembly with no special tools or experience. It is possible to put together an accurate, functional fixture using only a drill press, hand tools and some care; precision CNC machines are not needed.

Kit Contents

Fixture kits include all the mechanical components of the fixture itself, mounting hardware, a set of hold-down posts and a printed Quick Start Guide. A full length Assembly Guide is downloadable.

Kits do not include test probes since the type and quantity required will vary by application.

Features

Suitable for probing boards 1/32" (0.8mm) to 1/16" (1.6mm) thick using specified probes and supplied hold-down posts without adjustment.

Designed for easy assembly. Engraved grids and alignment features on pressure plate, probe plate and rear panel aid customisation.

Spring clip action holds fixture securely closed.

Specifications

Dimensions

Probe plate size	6" x 9" (152 x 229mm)
Max probing area	5" x 5½" (125 x 140mm)

Materials

Pressure plate	0.220" (5.6mm) Acrylic
Probe plate	0.250" (6.3mm) MDF
Front and rear panels	0.220" (5.6mm) Acrylic
Hinge	Brass plate
Hardware	Stainless steel
Hold-down posts	Nylon

Compatible Probes

S-075 probe and R-075 receptacle
S-100 probe and R-100 receptacle
S-3 probe and R-3 receptacle
S-4 probe and R-4 receptacle

Accessories

The rear panel incorporates a separate insert for connectors. Pre-cut inserts are available with holes for many common types including D-sub and rectangular connectors.

Ordering

Fixture Kit, Imperial MF500

For available accessories, see online store.